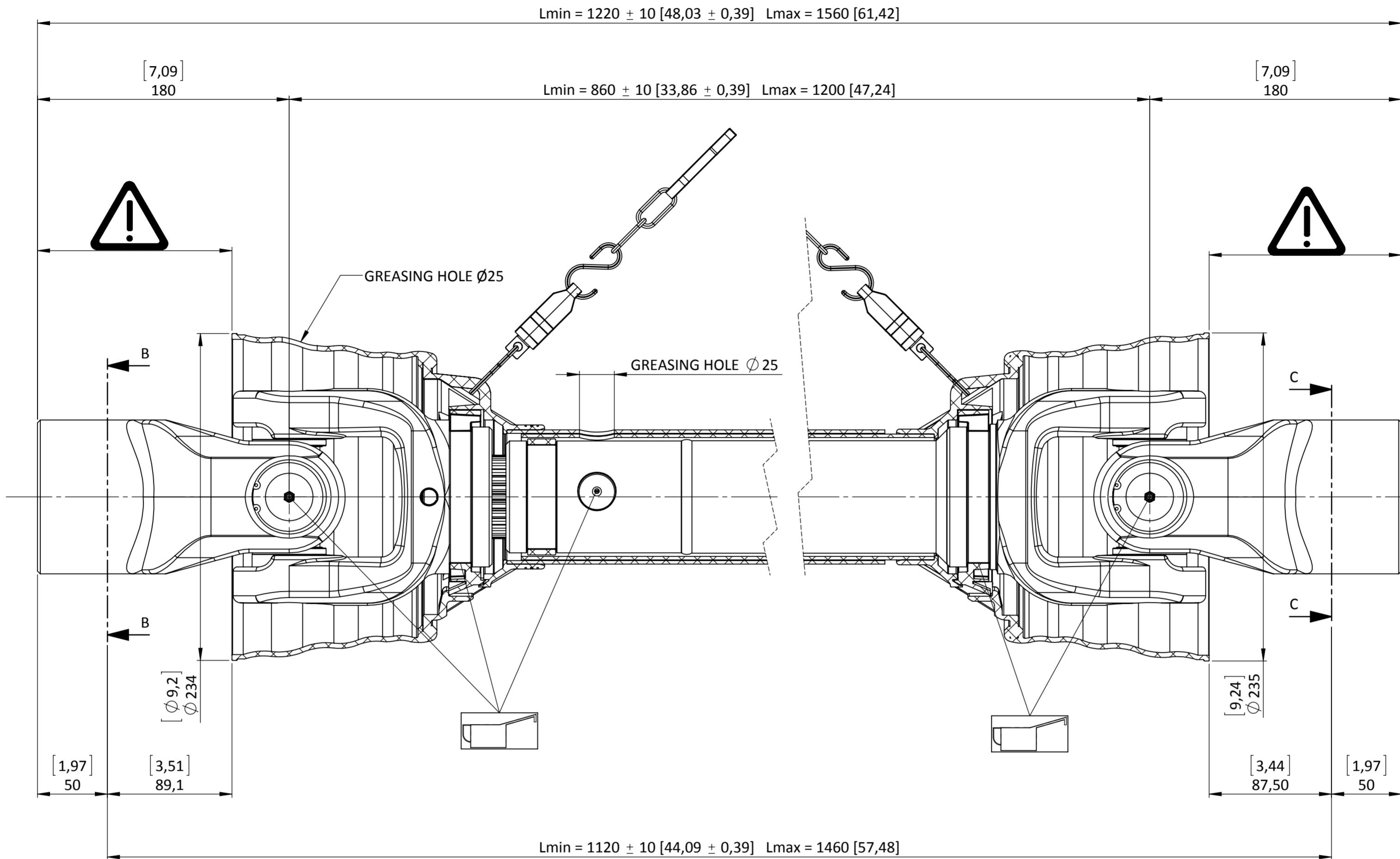
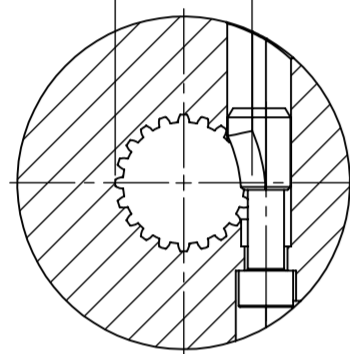


PIC SIDE

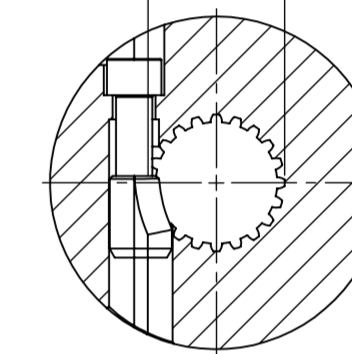


Ø 1-3/4" Z20
PROFILE ACCORDING TO
ISO 500



SECTION B-B

Ø 1-3/4" Z20
PROFILE ACCORDING TO
ISO 500



SECTION C-C

RELEVANT DIMENSION FOR C.Q. CHECK

Revisions	Index	Description	Modified by	Approved by	Date

<p>Universal joint PTO side</p>	<p>Universal joint PIC side</p>
<p>Inner tube profile</p> <p>HARDENED PROFILE ø60 x 55 DIN 5482 L=510</p>	
<p>Outer tube profile</p>	

Safety device PTO side	Safety device PIC side	Tube grease point	<p>YES GREASE AT Lmin + 10 mm</p>		
Torque setting	Torque setting	Optionals	Retaining system	Anti vibration sleeve	EC MARKED
RPM	kW	CV	Nm	in. lb.	YES
540	181	246	3200		YES
1000	272	370	2600		

Lubricate the product at the given greasing point prior to use. Please refer to the relative instruction hand-book for maintenance procedures.

Raccomendated lubrication intervals: 50hrs. Lubrication intervals may vary according to the type of application and working environment involved. For more specific information please contact us.

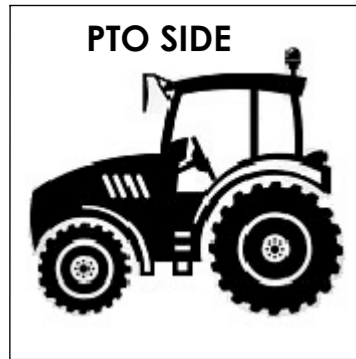
Recommended lubricant: grease NLGI Grade 2. The above values relates to standard working conditions, of the product, with a 5° angle and for a life span of 1000h

All rotating parts (marked) are dangerous and must be properly shielded BENZI & DI TERLIZZI declines any responsibility for the non compliance or the improper use of the product.

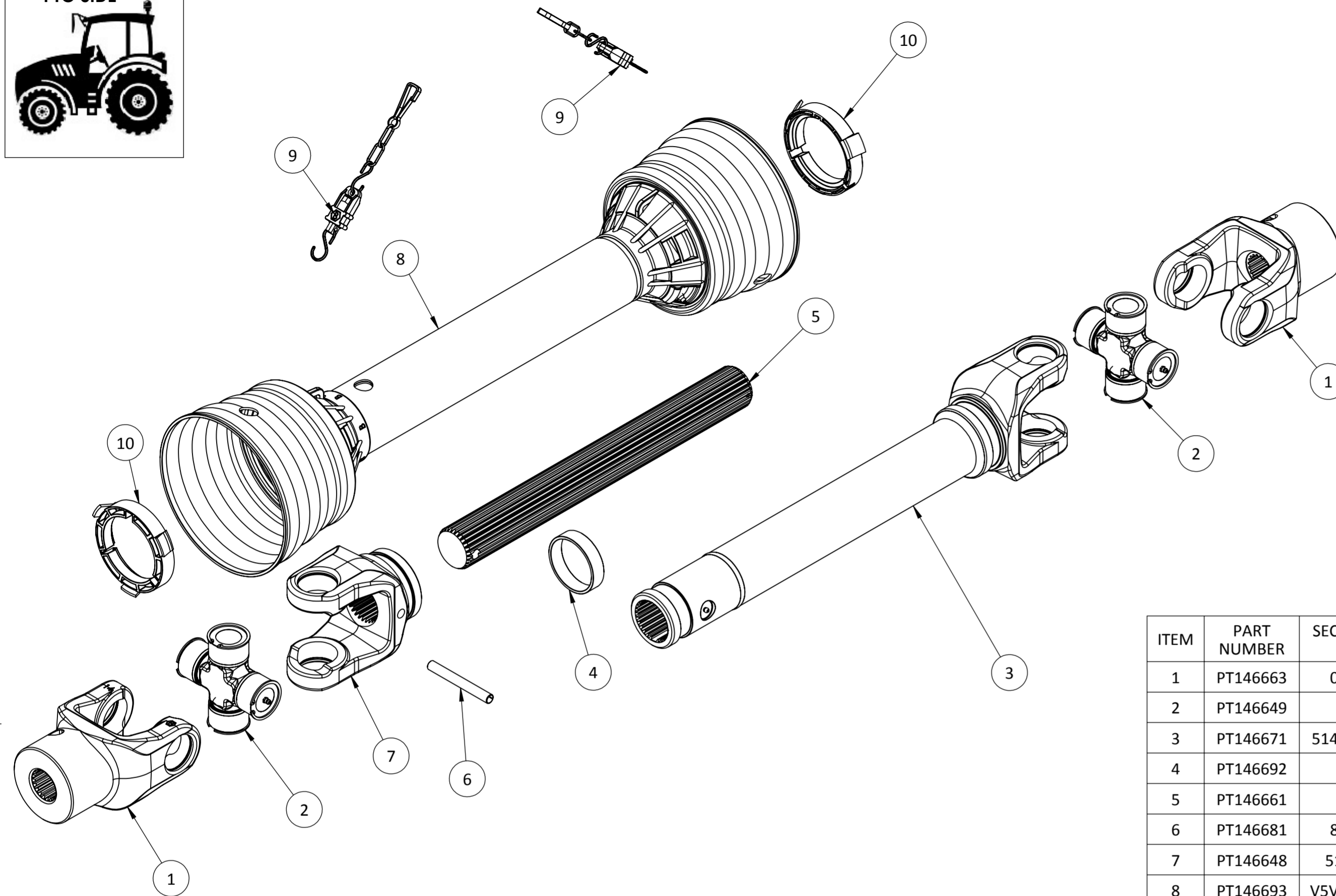
This drawing is property of "BENZI & DI TERLIZZI Srl" and must not be used, reproduced or trasmitted without our written autorization

www.benzi.it

Design by UT_FC	Date 24/06/2016	Checked by	Date 29/06/2016
Customer	Customer ref.	Format A2	Sheet 2/2
Secondary code V14086AA037037 0		Series V14	
Drawing Number V1400823		Rev 04	

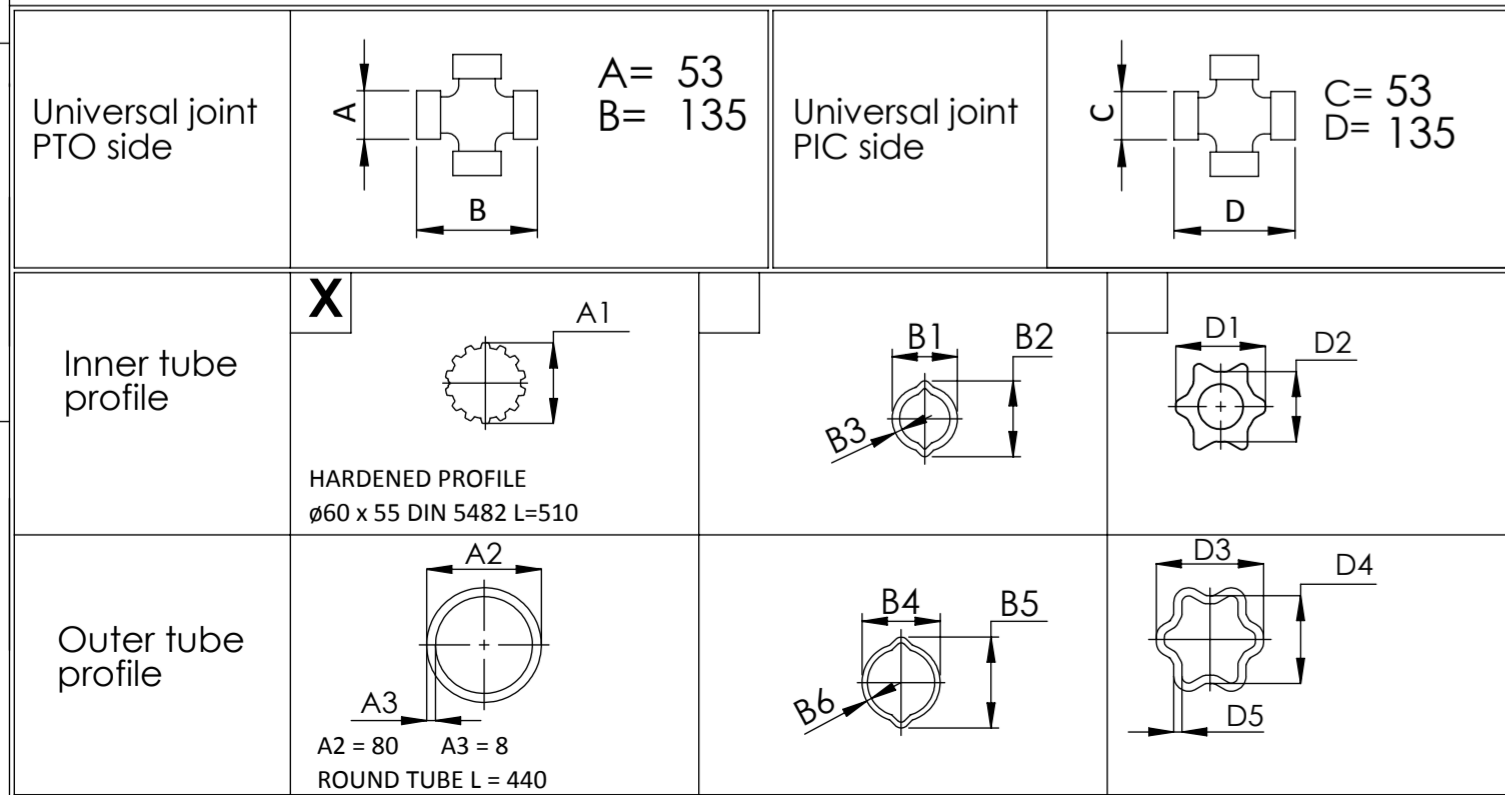


PIC SIDE



ITEM	PART NUMBER	SECONDARY CODE	DESCRIPTION	FITTING	Q.TY
1	PT146663	011437	SPLINED BORE YOKE WITH CONIC BOLT	1-3/4" Z20	2
2	PT146649		CROSS KIT WITH GREASE NIPPLE ON BEARING CUP	53 x 135	2
3	PT146671	51420PV715	ROUND BORE YOKE WITH TUBE, SLEEVE AND GREASE NIPPLE	ø60 x 55 DIN 5482	1
4	PT146692		RING ANTI-VIBRATING	ø82 x ø75 L=20	1
5	PT146661		SPLINED TUBE L=510 WITH PARALLEL PIN	ø60 x 55 DIN 5482	1
6	PT146681	813110	ELASTIC PIN - DIN1481	Ø13 x 110	1
7	PT146648	51430VP	INBOARD YOKE FOR INNER TUBE	ø60x55 DIN 5482	1
8	PT146693	V5V14086AA	SHAFT SHIELD	-	1
9	PT140342	C50	PRE - DESENGAGEMENT SYSTEM CHAIN	-	2
10	PT140935	GV440	RETAINER	-	2

RELEVANT DIMENSION FOR C.Q. CHECK



Safety device PTO side		Safety device PIC side		Tube grease point	
YES		YES		GREASE AT Lmin + 10 mm	
Torque setting		Torque setting		Optionals	
RPM	kW	CV	Nm	in. lb.	
540	181	246	3200		
1000	272	370	2600		

Revisions	Index	Description	Modified by	Approved by	Date

Lubricate the product at the given greasing point prior to use. Please refer to the relative instruction hand-book for maintenance procedures.

Raccomendati lubrificanti: 50hrs. Lubrication intervals may vary according to the type of application and working environment involved. For more specific information please contact us.

Recommended lubricant: grease NLGI Grade 2. The above values relates to standard working conditions, of the product, with a 5° angle and for a life span of 1000h

All rotating parts (marked) are dangerous and must be properly shielded BENZI & DI TERLIZZI declines any responsibility for the non compliance or the improper use of the product.

BENZI & DI TERLIZZI

ISO normative E Scale Weight (kg) 63.14

Design by UT_FC Date 24/06/2016 Checked by Date 29/06/2016

Customer Customer ref. Format A2 Sheet 1/2

Secondary code V14086AA037037 0 Series V14

Drawing Number V1400823 Rev 04

evolution HIGH PERFORMANCE SERIES

This drawing is property of "BENZI & DI TERLIZZI Srl" and must not be used, reproduced or trasmitted without our written autorization